

WINDING
 115000 GRD. Y/66395 VOLTS
 21000 GRD. Y/12125 VOLTS
 13800 VOLTS

65 DEG. C. RISE
 22500/30000/37500 KVA
 22500/30000/37500 KVA
 7875/10250/13125 KVA

THREE PHASE
 60 HERTZ L SPEC RFS2544 TYPE SL

SERIAL

INSULATUR INSULATION CLASS 0A/FA/FA

INSTRUCTION BOOK GALS. OIL

BIL. H-WDG. 450 KV., H-WDG. NEUT. 150 KV., H-NEUT. BUSH. 150 KV., Y-WDG. 110 KV.,
 X-WDG. 150 KV., X-WDG. NEUT. 150 KV., X-NEUT. BUSH. 150 KV.

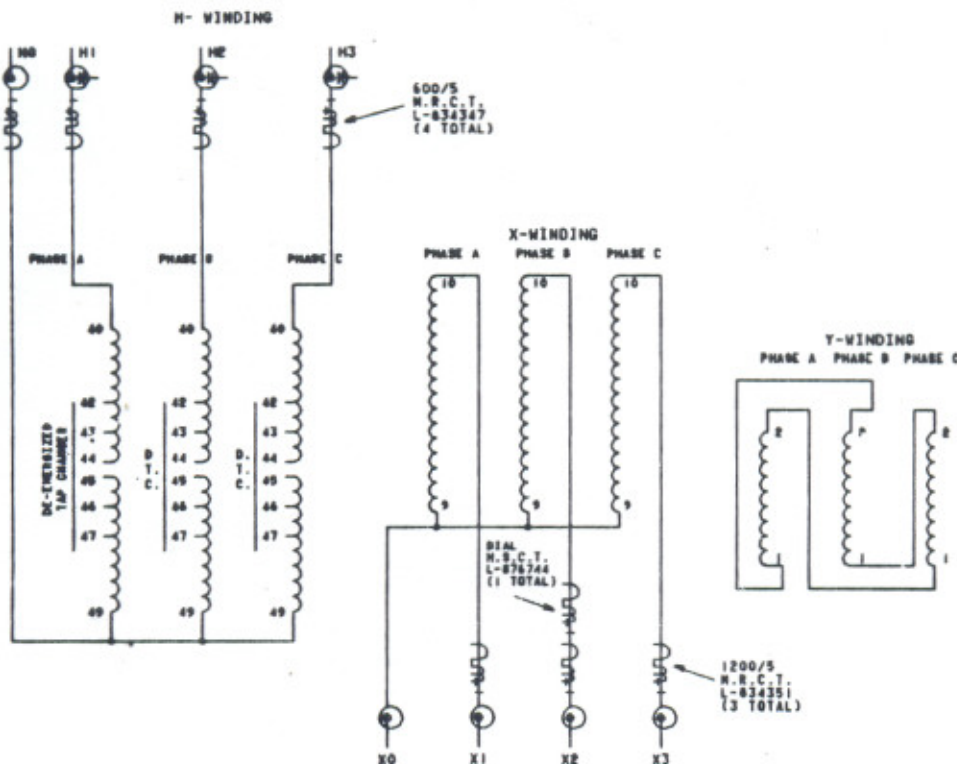
IMPEDANCE XAT 22500 KVA 115000 TO 21000 VOLTS

APPROX. WEIGHT IN LBS. CASE OIL TOTAL

CORE AND COILS

MADE IN U.S.A.

246P301HD18



CONNECTIONS						
WINDING	VOLTS	22500	30000	37500	DE-ENERGIZED TAP CHANGER	
		KVA AMPERES	KVA AMPERES	KVA AMPERES	POS.	CONNECTS
H- WINDING NYE	123425	105.1	140.1	175.1	1	44 TO 45
	120750	107.6	143.4	179.3	2	43 TO 45
	117875	110.2	146.9	183.7	3	43 TO 46
	115000	113.0	150.6	188.3	4	42 TO 46
	112125	115.9	154.5	193.1	5	42 TO 47
X- WINDING NYE	21000	610.6	824.8	1031.0		
		7875 KVA AMP'S	10250 KVA AMP'S	13125 KVA AMP'S		
Y- WINDING DELTA	13800	329.5	420.3	549.1		

THE DELTA CONNECTED Y-WINDING IS PROVIDED FOR CIRCULATION OF THIRD HARMONIC CURRENTS AND STABILIZATION OF THE NEUTRAL. THIS CONNECTION MUST NEVER BE CHANGED.
 NO EXTERNAL LOAD TO BE TAKEN FROM THE Y-WINDING.

THE HIGH VOLTAGE WINDING NEUTRAL MUST BE PERMANENTLY GROUNDED EITHER DIRECTLY OR THROUGH A LOW IMPEDANCE. IF AN IMPEDANCE IS PLACED IN THE GROUND CIRCUIT, THE VOLTAGE FROM NEUTRAL TO GROUND DURING A FAULT MUST NOT EXCEED 25000 VOLTS.

THE 65 DEG. C. LIQUID LEVEL IS 10.25 INCHES BELOW TOP OF HIGHEST HANDLE FLANGE.

LIQUID LEVEL CHANGES 0.79 INCHES FOR EACH 10 DEG. CHANGE IN AVERAGE LIQUID TEMPERATURE.

THE TRANSFORMER MUST NOT BE ENERGIZED FROM ANY VOLTAGE SOURCE WHEN DE-ENERGIZED TAP CHANGERS ARE OPERATED. THE TRANSFORMER IS DESIGNED FOR OPERATION BETWEEN PRESSURE LIMITS OF 4.5 POUNDS PER SQUARE INCH POSITIVE AND 4.5 POUNDS PER SQUARE INCH NEGATIVE.

THE TRANSFORMER TANK IS DESIGNED TO WITHSTAND COMPLETE VACUUM.

THE LOW VOLTAGE WINDING NEUTRAL MUST BE PERMANENTLY GROUNDED EITHER DIRECTLY OR THROUGH A LOW IMPEDANCE.

IF AN IMPEDANCE IS PLACED IN THE GROUND CIRCUIT THE VOLTAGE FROM NEUTRAL TO GROUND DURING A FAULT MUST NOT EXCEED 25000 VOLTS.

CONDUCTOR SIZES: H-WDG. AL., X-WDG. CU., Y-WDG. CU.

UNLIFTING WEIGHT (HEAVIEST PIECE) 50650 LBS.

