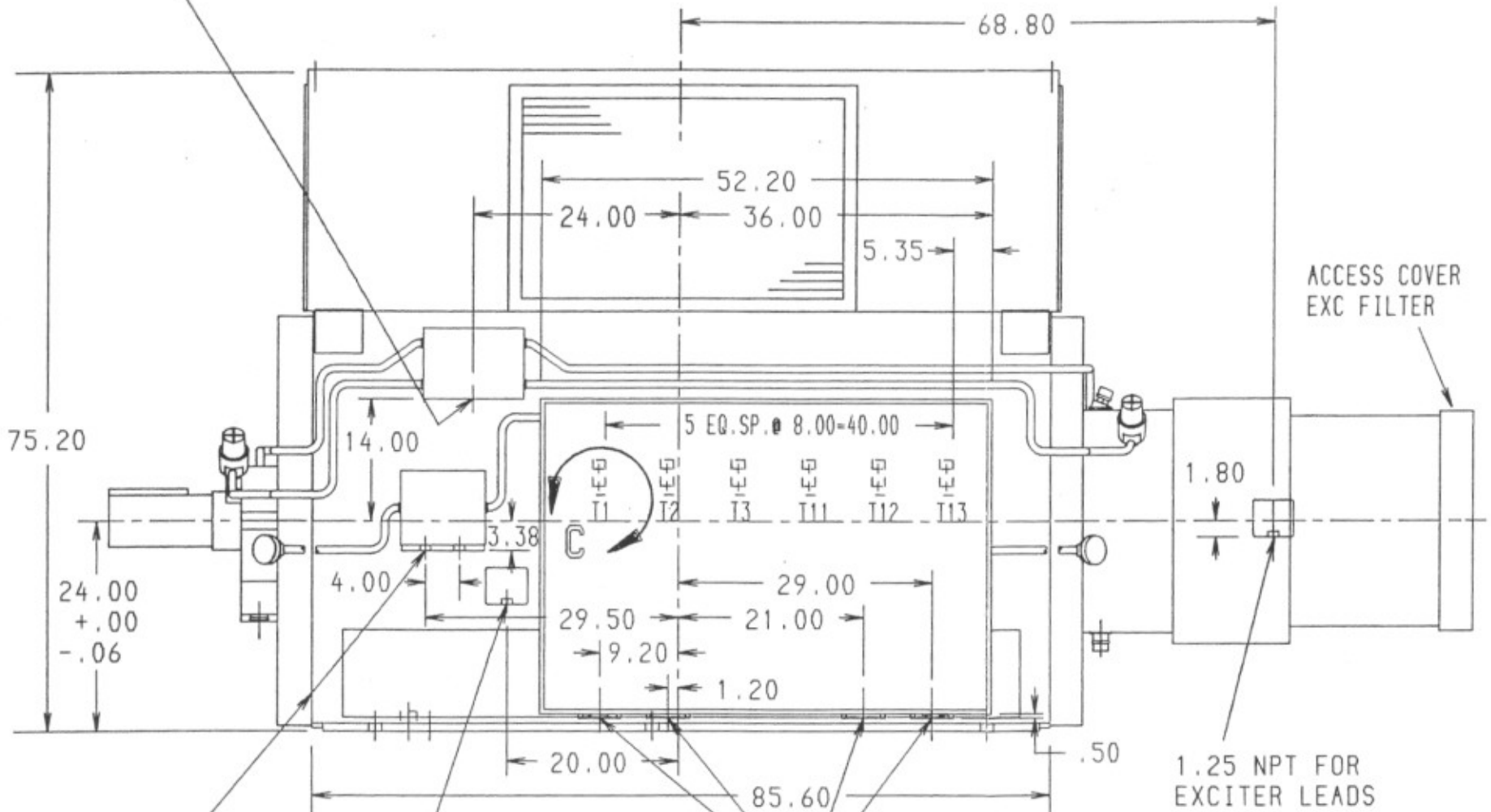


HOLE FOR
1.25 NPT HUB
(PROXIMATOR LEADS)



TWO 1.00 N.P.T. FOR
BEARING RTD'S &
STATOR R.T.D. LEADS.

1.00 N.P.T. FOR
HEATER LEADS.

(4) 4.00 NPT FOR
STATOR LEADS