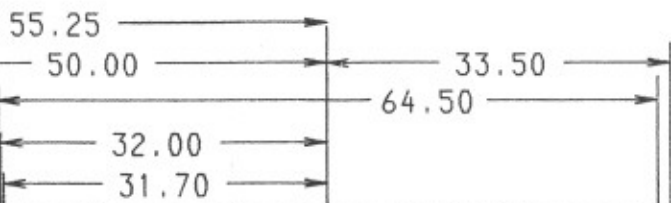


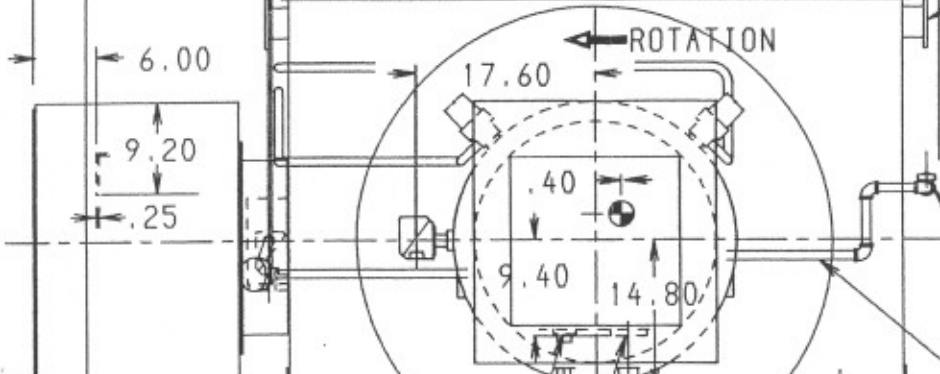
LEAD HOLES

PROXIMITOR &
HTR BOX
LEAD HOLE

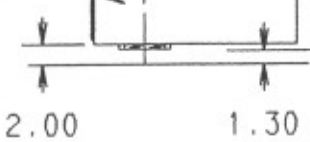


REMOVABLE LOUVERS FOR
FILTER ACCESS AND AIR
INLET EACH END
(SEE NOTE)

LIFTING
LUGS



ACCESS COVERS



GROUND LUG FOR CUST.
4/0 COPPER GRD CABLE

.50 NPT OIL INLET
(CHECK VALVE)
EACH END

ORIFICE PIPE

TORQUE OF 400 FT-LBS
TO BE MAINTAINED ON
THESE TWO BOLTS (EA END)

REAM FOR .625 DIA DOWEL
PIN AT INSTALLATION.
TWO HOLES DIAGONALLY
OPPOSITE

HOUSING DRAIN
DE
FE

1.25 N.P.T.
OIL RETURN
DE
FE