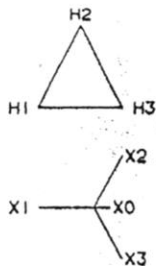


Westinghouse®



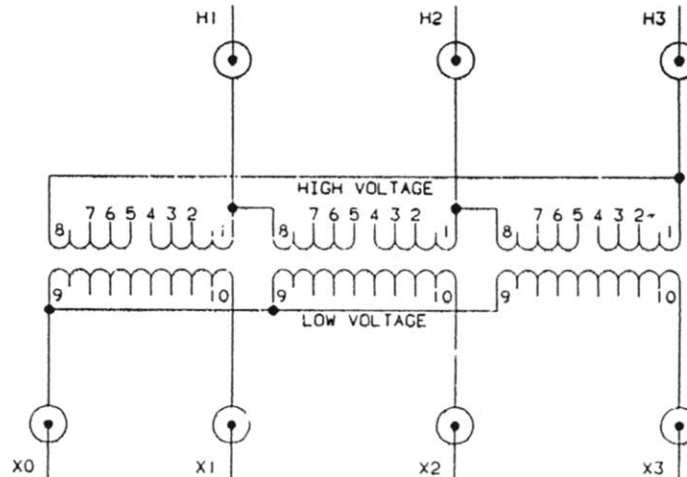
<p style="text-align: center;">VOLTS</p> <p>HV <input type="text" value="13200-"/></p> <p>LV <input type="text" value="4800Y/2771"/></p> <p style="text-align: center;">60 HERTZ</p>	<p>THREE PHASE TYPE RSL OIL INSULATED SUBSTATION TRANSFORMER CLASS <input type="text" value="OA/FA"/> INSULOUR INSULATION</p>	<p>FULL LOAD KVA</p> <p><input type="text" value="5000/5600"/> OA</p> <p><input type="text" value="6250/7000"/> FA</p> <p><input type="text" value="55/65"/> °C RISE</p> <p>GALLONS LIQUID <input type="text"/></p>
<p>INSTRUCTION BOOK <input type="text" value="PS-1002"/> SERIAL <input type="text" value="SDT4408-"/> MANUFACTURE DATE <input type="text"/></p>		
<p>FULL WAVE IMPULSE TEST LEVEL: H.V. <input type="text" value="110"/> KV., L.V. <input type="text" value="75"/> KV.</p>		
<p>IMPEDANCE <input type="text"/> % AT <input type="text" value="5000"/> KVA <input type="text" value="13200"/> TO <input type="text" value="4800Y"/> VOLTS.</p>		
<p>APPROX. WEIGHT IN LBS. CORE AND COILS <input type="text"/> CASE <input type="text"/> LIQUID <input type="text"/> TOTAL <input type="text"/></p>		
<p>MADE IN U.S.A. WESTINGHOUSE ELECTRIC CORPORATION</p>		<p><input type="text" value="9750A71"/></p>



CONNECTIONS				
WINDING	VOLTS	6250 KVA AMPS	TAP CHANGER	
			POS.	CONNECTS
HIGH VOLTAGE DELTA	13860	260.4	1	4 TO 5
	13530	266.8	2	3 TO 5
	13200	273.4	3	3 TO 6
	12870	280.4	4	2 TO 6
	12540	287.8	5	2 TO 7
LOW VOLTAGE WYE	4800	751.8	---	

HV -

LV -



THIS TRANSFORMER WILL CARRY KVA WITHOUT EXCEEDING 65°C AVERAGE TEMPERATURE RISE WHEN ADEQUATE COOLING EQUIPMENT IS ADDED.

THE TRANSFORMER TANK IS DESIGNED TO WITHSTAND A POSITIVE OR NEGATIVE PRESSURE OF LBS. PER SQUARE INCH.

THE OPERATING PRESSURE IS LIMITED BY THE SEALED-AIR OIL PRESERVATION SYSTEM, WHEN PROVIDED, TO LBS. PER SQUARE INCH POSITIVE AND LBS. PER SQUARE INCH NEGATIVE.

THE 25°C LIQUID LEVEL IS INCHES BELOW HIGHEST MANHOLE FLANGE.

LIQUID LEVEL CHANGES INCH FOR EACH 10°C CHANGE IN AVERAGE LIQUID TEMPERATURE.

THE TRANSFORMER MUST NOT BE ENERGIZED FROM ANY VOLTAGE SOURCE WHEN TAP CHANGER IS OPERATED.

SUITABLE FOR OPERATION AT OR BELOW FEET ALTITUDE AT NAMEPLATE RATING.

101100203