

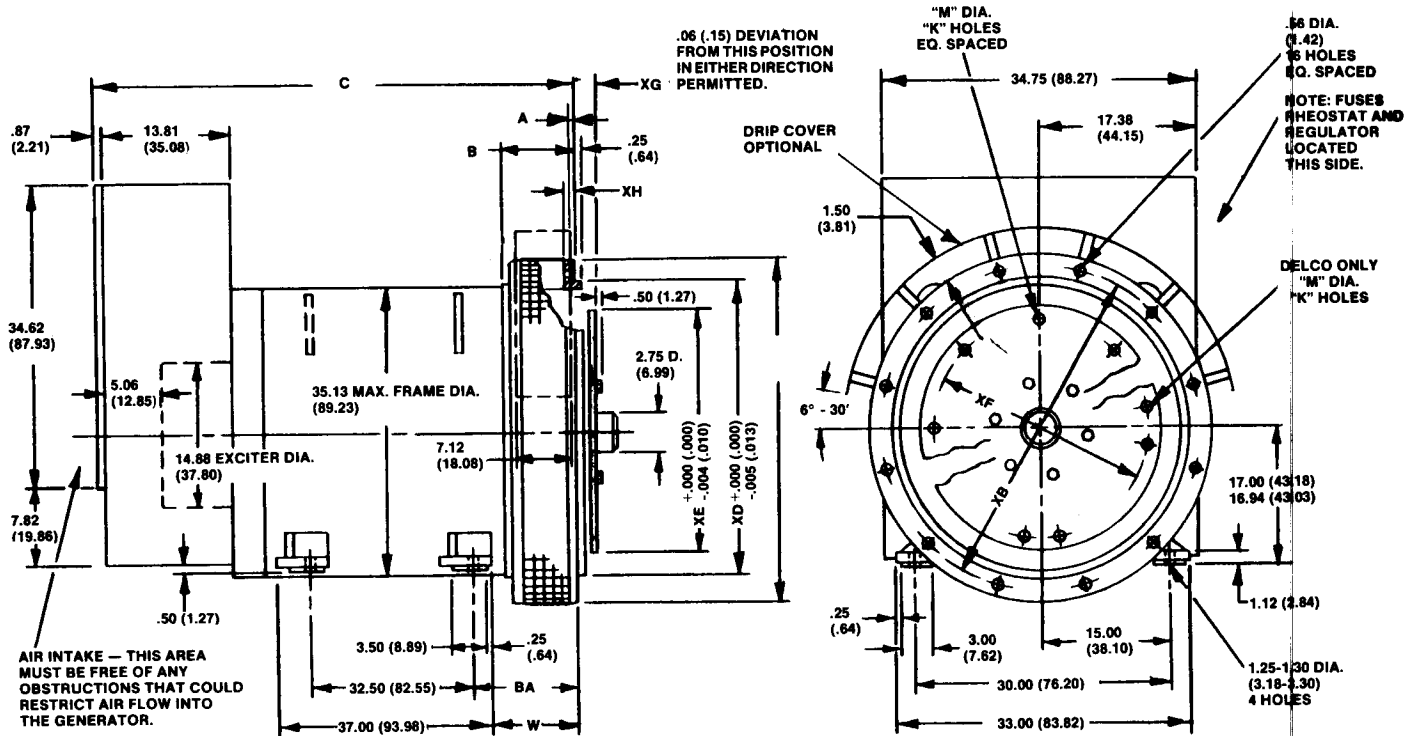
# MAGNA ONE GENERATORS

## DIMENSIONS

Section 5800  
Page 13  
Date: 2-18-83

Supersedes: Section 5800  
Pages 27, 29, 31, 33  
Date: 4-1-81

### 682, 683, 684 FRAME — SINGLE BEARING 4160/2400 VOLT ONLY



### DIMENSIONS — U.S. CUSTOMARY UNIT (METRIC UNIT)

Mounting Arrangement	Adapter								
	SAE	H	XB In (cm)	XD In (cm)	XH In (cm)	BA In (cm)	W In (cm)	A In (cm)	B In (cm)
42	1/2	12	24.38 (61.91)	23.000 (58.42)	1.12 (2.84)	10.25 (26.04)	9.00 (22.86)	.62 (1.57)	7.75 (19.69)
45	1/2	12	24.38 (61.91)	23.000 (58.42)	1.12 (2.84)	10.25 (26.04)	9.00 (22.86)	.62 (1.57)	7.75 (19.69)
52	0	16	26.78 (67.94)	25.500 (64.77)	1.12 (2.84)	10.25 (26.04)	9.00 (22.86)	.62 (1.57)	7.75 (19.69)
54	0	16	26.75 (67.94)	25.500 (64.77)	1.12 (2.84)	10.25 (26.04)	9.00 (22.86)	.62 (1.57)	7.75 (19.69)
55	0	16	26.75 (67.94)	25.500 (64.77)	1.12 (2.84)	10.25 (26.04)	9.00 (22.86)	.62 (1.57)	7.75 (19.69)
64	0	16	33.50 (85.09)	31.000 (78.74)	1.12 (2.84)	10.25 (26.04)	9.00 (22.86)	.62 (1.57)	7.75 (19.69)
66②	00	16	33.50 (85.09)	31.000 (78.74)	1.62 (4.11)	10.75 (27.30)	9.50 (24.13)	1.12 (2.84)	8.25 (20.96)

Mounting Arrangement	Flexible Drive Disc①					
	Coupling Size	K	M In (cm)	XE In (cm)	XF In (cm)	XG In (cm)
42	SAE 14	8	.53 (1.35)	18.374 (46.67)	17.25 (93.82)	1.00 (2.54)
45	Delco 17.75	8	.66 (1.68)	17.754 (45.09)	15.50 (39.37)	.72 (1.83)
52	SAE 14	8	.53 (1.35)	18.374 (46.67)	17.25 (43.82)	1.00 (2.54)
54	SAE 18	6	.66 (1.68)	22.499 (57.15)	21.38 (54.29)	.62 (1.57)
55	Delco 17.75	8	.66 (1.68)	17.754 (45.09)	15.50 (39.37)	.72 (1.83)
64	SAE 18	6	.66 (1.68)	22.499 (57.15)	21.38 (54.29)	.62 (1.57)
66②	SAE 21	12	.66 (1.68)	26.499 (67.31)	25.25 (64.14)	0.00 (0.00)

Mounting Arrangement	C In (cm)		
	682 Frame	683 Frame	684 Frame
54, 64	64.44 (163.68)	69.44 (176.38)	73.44 (186.54)
66②	64.94 (164.95)	69.94 (177.65)	73.94 (187.81)

- ① The use of Grade 8 capscrews for mounting the drive discs to the flywheel is recommended.
- ② This arrangement will be available in these dimensions after 4/1/83. Refer to Marathon Electric for current arrangement dimensions.

Prices and data are subject to change without notice.

Printed  
in U.S.A.



P.O. Box 1407 Wausau, WI 54401  
Ph: (715) 675-3311 TWX: 910-281-1521